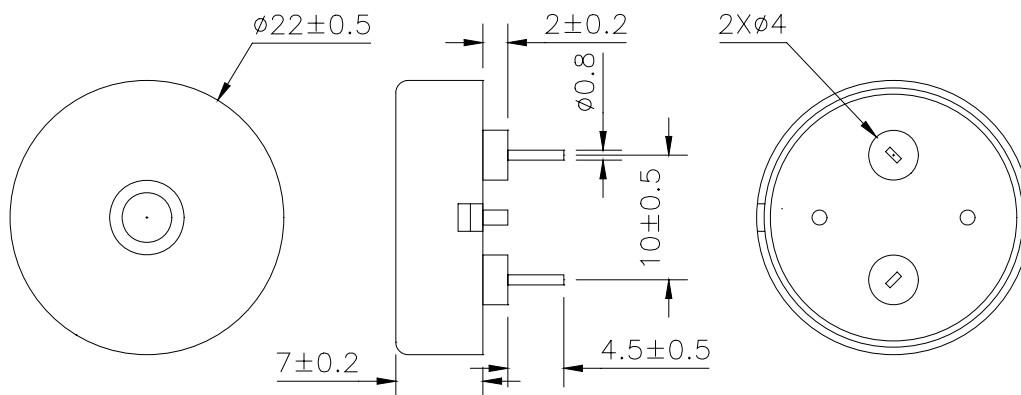


**Sales Outline Drawing**Revision **A****Specifications:**

Resonant Frequency (Hz)	4000 ± 500
Operating Voltage (Vp-p/max)	30
Rated Voltage (Vp-p)	5
Current Consumption (mA/max)	1.5 at Rated Voltage
Sound Pressure Level (dB/min)	90 at 10cm at Rated voltage
Capacitance (pF)	25,000 ± 30% at 120 Hz
Operating Temperature (°C)	-20 ~ +90
Storage Temperature (°C)	-30 ~ +100
Housing	ABS 777D UL94HB plastic resin (Color: Black)
Lead Pins	Tin Plated Brass
Weight (Grams)	2
Condition by wave soldering (°C)	245 ±5 / 3±0.5 sec
Condition by hand soldering (°C)	350 ±20 / within 5 sec
Options	For other options contact factory

PS: Vp-p = 1/2duty, square wave

**RoHS Compliant****Dimensions:** (units: mm)

Unit:mm